

Steel Footrest Assembly Instructions

Figure 1

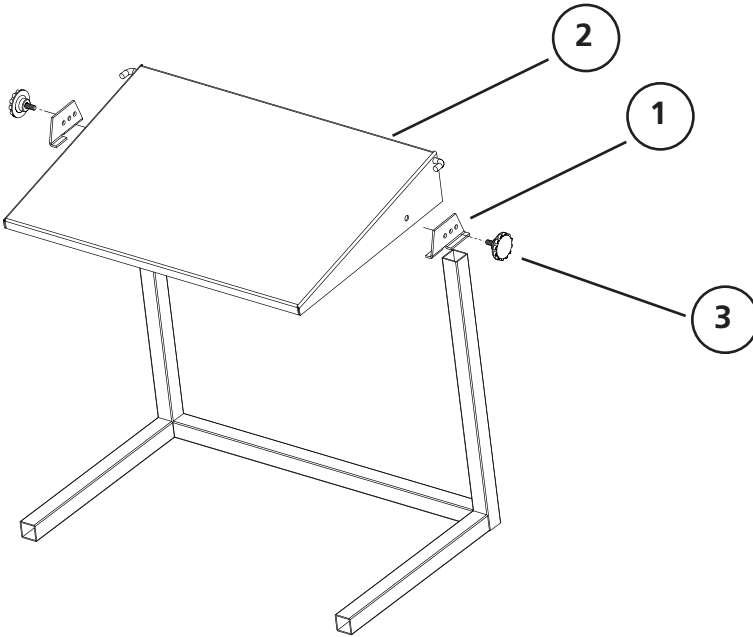
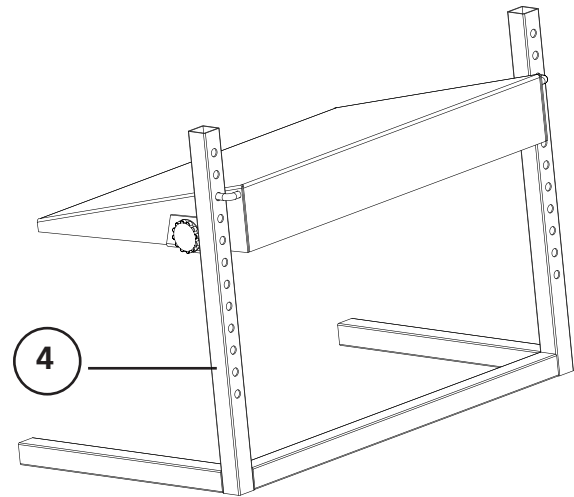


Figure 2



- A) Attach the footrest brackets (1) to each side of the footrest platform (2) using the knobs (3) as shown in Figure 1.
- B) Hook the footrest into the slotted uprights of the base (4) at the desired height as shown in figure 2.
- C) To adjust the footrest angle simply unscrew the knobs and reposition the footrest brackets.